

Installation Tool for Monobolt® Fasteners & Lockbolts

7287 Model

Features

- Hydro-pneumatic split tool for Monobolt® fasteners and lockbolts
- Extended stroke and pull force
- Installation of large fasteners with single pull action
- Short cycle time
- Lightweight placing head
- Remote intensifier mounted on castors
- 3 m hose length
- Wide choice of directly interchangeable 722 model nose assemblies to suit the access restrictions of the application

Benefits

- Places a wide range of fasteners in one stroke
- Does not require second actuation (two pulls)
- High placement speed
- Can offer labour cost savings
- Can increase assembly capacity
- Reduces operator fatigue
- Flexible use in the assembly line
- Can be fitted with a collar cropper to remove installed Avdelok® lockbolts
- Reduced noise output during fastener installation

Specifications

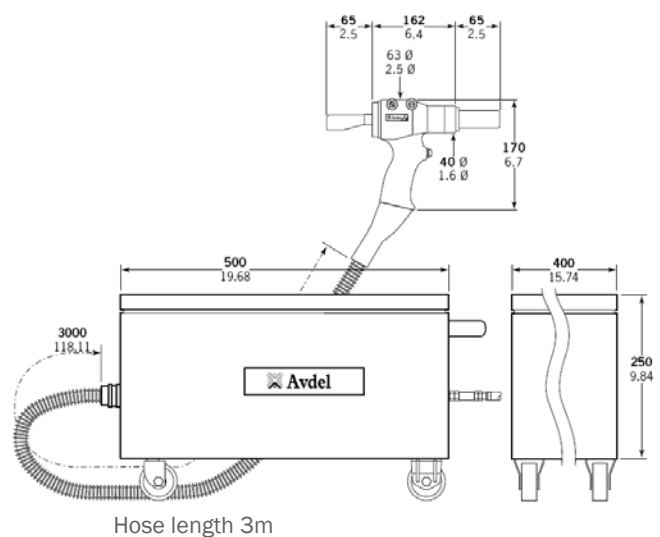
Pistol weight (without equipm.)	1.47 kg
Pistol weight (with equipm.)	<2.5 kg
Total weight (without equipm.)	40 kg
Pull force @ 5.5 bar	32.4 kN
Stroke min. under load	29 mm
free cycling	32 mm
Cycle time (approx.)	1.7 sec
Air supply pressure	5 - 7 bar
Free air volume @ 5.5 bar	3.5 litres
Noise level	75 dB(A)
Vibration	<2.5m/s ²

Placing capability

Avdelok®, Avtainer® and Monobolt® fasteners up to \varnothing 3/8" (10 mm)
Avbolt® fasteners up to \varnothing 5/16" (8 mm)
All other lockbolts up to \varnothing 5/16" (8 mm)
Avseal® II sealing plugs up to \varnothing 14 mm



Dimensions (mm/inch)



Hose length 3m

For detailed information on placing capability and nose equipment please refer to the tool manual on our website www.avdel-global.com or contact your local Avdel representative.



www.avdel-global.com

Your local distributor for Avdel® products is:
PALMAR PNEUMATİK ALET VE BAĞLANT ELEMANLARI SAN. VE TIC. LTD. ŞTİ.
Perpa Ticaret Merkezi B Blok Kat 9 No. 1354 • TR-34385 Okmeydanı-Istanbul
Tel: +90-212-210 4041 • Fax: +90-212-210 4043
Email: info@palmar.com.tr • Website: www.palmar.com.tr

© 2010 Infastech

Avbolt®, Avdelok®, Avseal®, Avtainer® and Monobolt® are trademarks of Avdel UK Limited.

03.2010

Data shown is subject to change without prior notice as a result of continuous product development and improvement policy.
Your local Avdel representative is at your disposal should you need to confirm latest information.