

Hydro Pneumatic Tool for Threaded Inserts

74200 Model

Features

- Heavy duty plastic body and long-life components
- Lightweight and ergonomically designed
- Latest 'spin-pull' technology
- One-step trigger
- Can be suspended or hand-held

Benefits

- Ideal for demanding production environments
- Quick and simple operation
- Reduces operator fatigue
- Increased productivity
- Places a wide range of threaded inserts
- Ensures accurate and secure thread installation

Specifications

Weight	2.2 kg (4.9 lbs)
Pull Force	19.1 kN (4,300 lbf)
Stroke	7 mm (0.276 in)
Cycle Time	2.5 sec
Air Supply Pressure	5 - 7 bar
Free air volume	8 litres
Noise level	75 dB(A)
Vibration	<2.5m/s ²

Placing capability

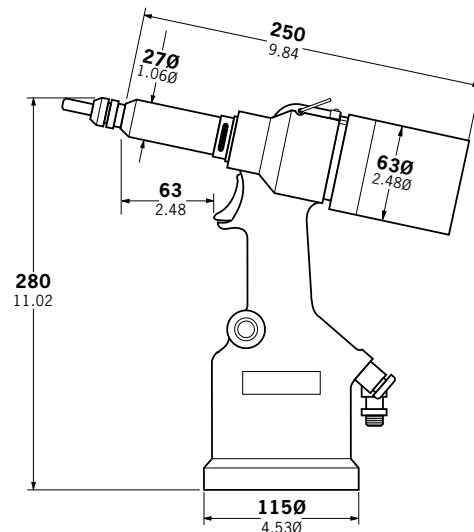
Avdel threaded inserts up to M12.
For detailed information on placing capability and nose equipment please refer to the tool manual on our website www.avdel-global.com or contact your local Avdel representative.



One-step trigger reduces cycle time to a minimum



Dimensions (mm/inch)



AVDEL[®]

Hydro Pneumatic Tool for Versa-Nut® Threaded Inserts

74405 Series

Features

- Tool specific for Versa-Nut® inserts
- Split tool
- Lightweight placing head

Benefits

- High placement speed
- Lightweight tool
- Robust tool
- Ergonomic
- Ease of maintenance

Specifications

Head Weight (without nose equipment)	2.0 kg (4.4 lbs)
Pull Force @ 5.5 bar	13.84 kN (3111 lbf)
Stroke (maximum)	16 mm (0.63 in)
Air Supply Pressure	5 – 7 bar
Free air volume @ 5.5 bar	15 litres
Noise level	<75 dB(A)
Vibration	<2.5m/s ²

Placing capability

Avdel Versa-Nut® threaded inserts M4 to M10.
For detailed information on placing capability and nose equipment please refer to the tool manual on our website www.avdel-global.com or contact your local Avdel representative.



Dimensions (mm)

